

The Vacuum Transfer System **TPC 100**



Operate in dense phase

Designed to handle difficult materials

Capacity up to 5000 litres/hour

Automatic level control*

Designed for cleaning in place*

Available for Atex 2/22 areas

* according to selected option



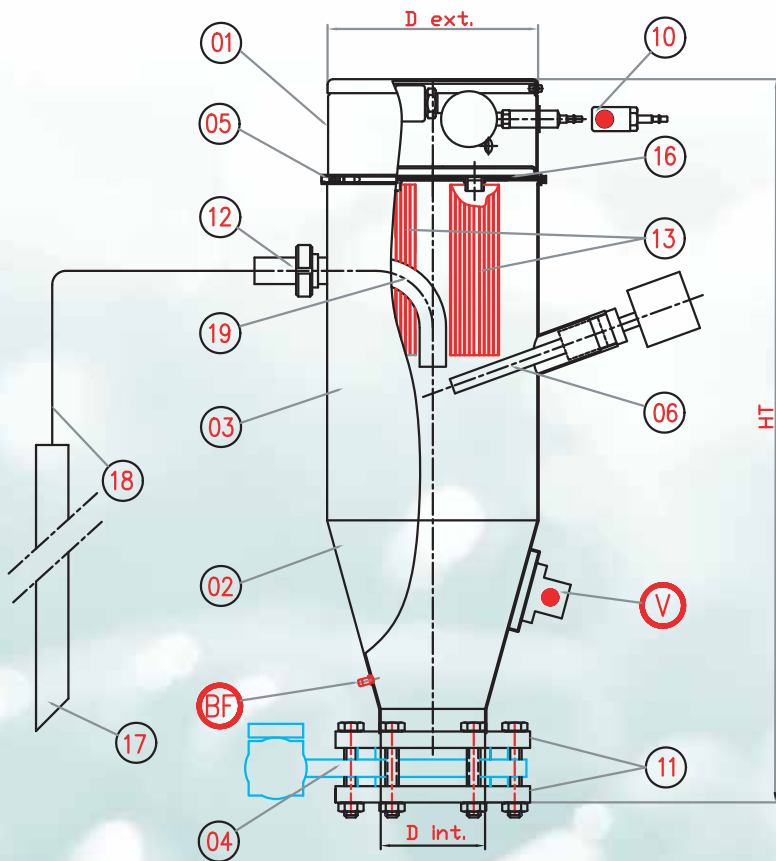
TECHNIlab®



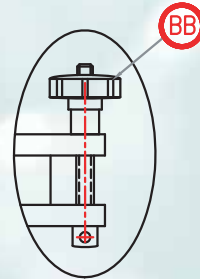
Option :
Clamp assembled Emptying valve



The Vacuum Transfer System **TPC 100**



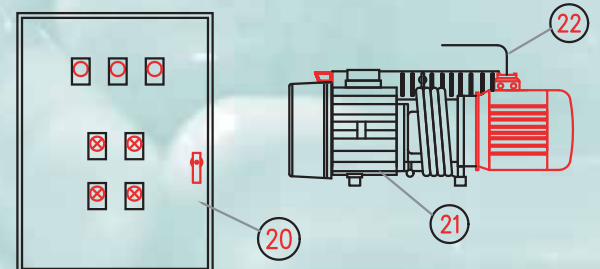
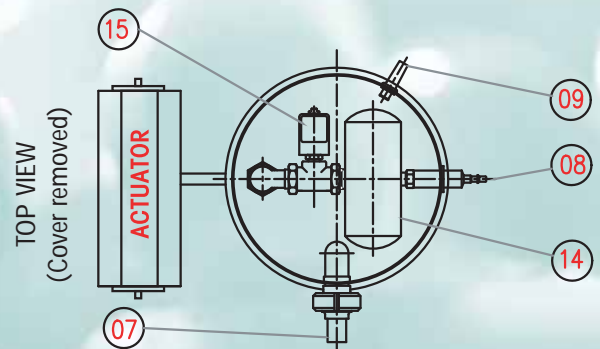
Quality of Finishing



Rep.	Qty	Designation	Material
01	1	Cleaning Base	316 L Stainless Steel
02	1	Cyclone Conical Base	304 L or 316 L Stainless Steel
03	1	Filter Location	304 L or 316 L Stainless Steel
04	1	Butterfly Valve DN 150 or 200	316 L Stainless Steel
05	1	Clamp	304 L Stainless Steel
06	1	Vibrating Blade Detector	316 L Stainless Steel
07	1	SMS 25 or 38 Coupling (material)	316 L Stainless Steel
08	1	Quick Coupling Compressed Air	304 L Stainless Steel
09	1	Cable Protection	Rubber
10	1	Quick Coupling Compressed Air	304 L Stainless Steel
11	2	Flange DN 150 or 150	304 L or 316 L Stainless Steel
12	1	SMS 38 Coupling (material)	316 L Stainless Steel
13	4	Filter Cartridge	Polyester/Silicon
14	1	0,8 liter Accumulator	304 L Stainless Steel
15	1	Cleaning Electro Valve	Bronze
16	1	Seal	Silicone
17	1	Bulk Inlet	304 L or 316 L Stainless Steel
18	1	Flexible Hose Ø38 or Ø51	Antistatic Crystal PVC
19	1	Inflow Matter Tube DN 38 or 51	304 L or 316 L Stainless Steel
20	1	PLC Control Panel	
21	1	Vacuum Pump	40 to 125 m³/h
22	1	Flexible Hose Ø25 or Ø38	Antistatic Crystal PVC

Options

Rep.	Qty	Designation	
V	1	PNEUMATIC VIBRATOR	
BF	1	FLUIDISATION NOZZLE	From 1 to 3 depending needs
RB	8	ROCKING BOLT	316 L Stainless Steel + PVC



PARAMETERS

TH : Total Height = 1045 mm
 D ext. : External Diameter = 305 mm
 D int. : Internal Diameter = 150 mm
 Mass : 35 kg

TECHNIlab®

30 bis, rue du Bois Chaland - CE 2948 • 91029 EVRY Cedex FRANCE

Tél. : +33 (0)1 60 86 96 48 • Fax : +33 (0)1 60 86 90 01

www.technilab.fr