

The Vacuum Transfer System **TPC 200**



Operate in dense phase

Designed to handle difficult materials

Capacity up to 8000 litres/hour

Automatic level control*

Designed for cleaning in place*

Available for Atex 2/22 areas

* according to selected option



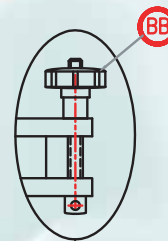
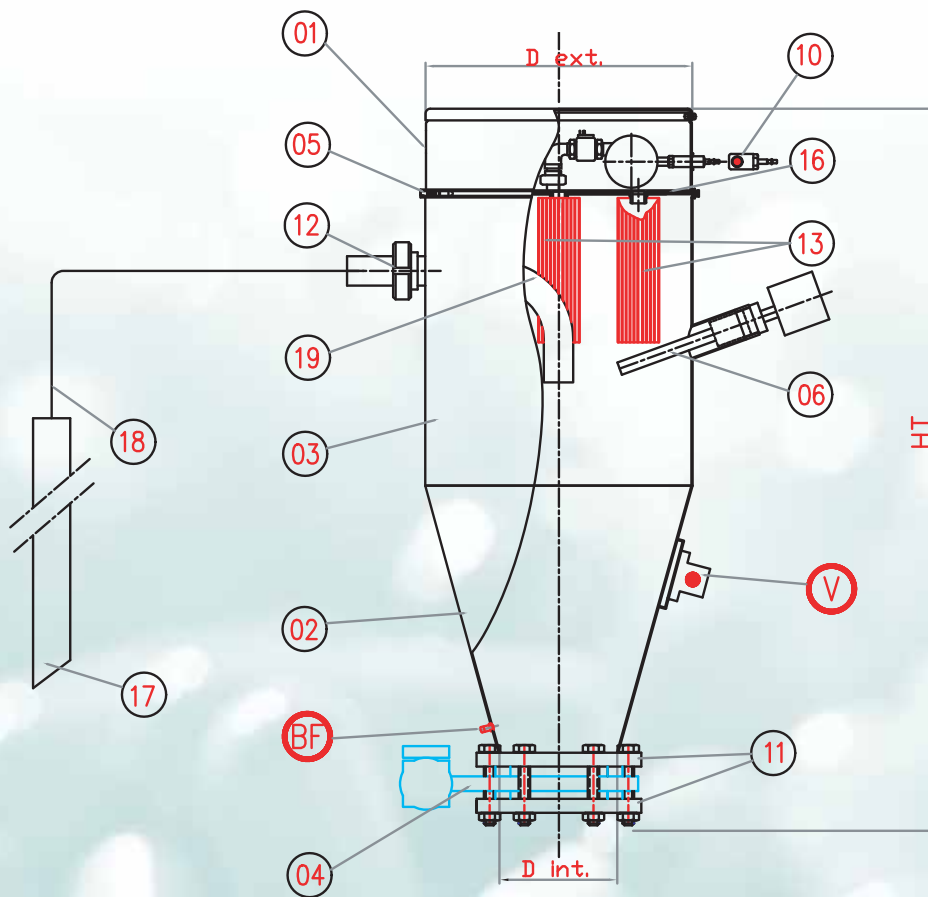
TECHNIlab®



Easy dismantling by clamp collars



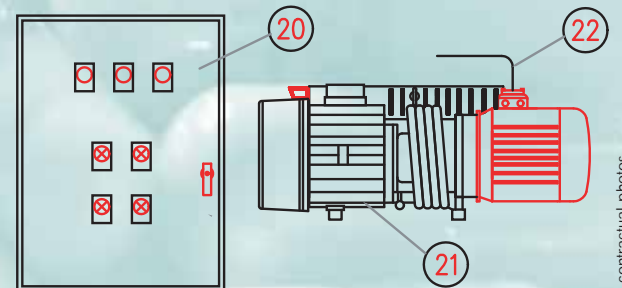
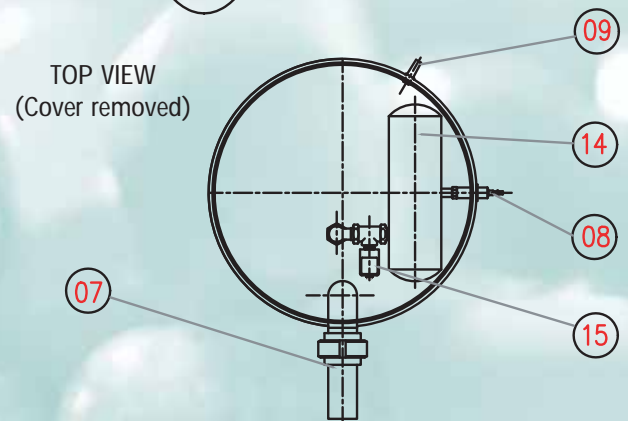
The Vacuum Transfer System TPC 200



Rep.	Qty	Designation	Material
01	1	Cleaning Base	316 L Stainless Steel
02	1	Cyclone Conical Base	304 L or 316 L Stainless Steel
03	1	Filter Location	304 L or 316 L Stainless Steel
04	1	Butterfly Valve DN 200 or 250	316 L Stainless Steel
05	1	Clamp	304 L Stainless Steel
06	1	Vibrating Blade Detector	316 L Stainless Steel
07	1	SMS 38 or 51 Coupling (material)	316 L Stainless Steel
08	1	Quick Coupling Compressed Air	304 L Stainless Steel
09	1	Cable Protection	Rubber
10	1	Quick Coupling Compressed Air	304 L Stainless Steel
11	2	Flange DN 200 or 250	304 L or 316 L Stainless Steel
12	1	SMS 51 or 63 Coupling (material)	316 L Stainless Steel
13	4	Filter Cartridge	Polyester/Silicon
14	1	1,5 liters Accumulator	304 L Stainless Steel
15	1	Cleaning Electro Valve	Bronze
16	1	Seal	Silicone
17	1	Bulk Inlet	304 L or 316 L Stainless Steel
18	1	Flexible Hose Ø51 or Ø63	Antistatic Crystal PVC
19	1	Inflow Matter Tube DN 51 or 63	304 L or 316 L Stainless Steel
20	1	PLC Control Panel	
21	1	Vacuum Pump	100 to 300 m ³ /h
22	1	Flexible Hose Ø38 or Ø51	Antistatic Crystal PVC

Options

Rep.	Qty	Designation	
V	1	PNEUMATIC VIBRATOR	
BF	1	FLUIDISATION NOZZLE	From 1 to 3 depending needs
RB	8	ROCKING BOLT	316 L Stainless Steel + PVC



PARAMETERS

TH : Total Height = 1225 mm
 D ext. : External Diameter = 455 mm
 D int. : Internal Diameter = 200 mm
 Mass of cyclone : 55 kg
 X = 350 mm

TECHNIlab[®]

30 bis, rue du Bois Chaland - CE 2948 • 91029 EVRY Cedex FRANCE

Tél. : +33 (0)1 60 86 96 48 • Fax : +33 (0)1 60 86 90 01

www.technilab.fr