

The Capsule Deduster VCD 100



Compact

High elevation capacity

Efficient

Options: Integrated metal detector,
Empty Capsule Elimination

Quick dismantling, modular,
easy cleaning validation



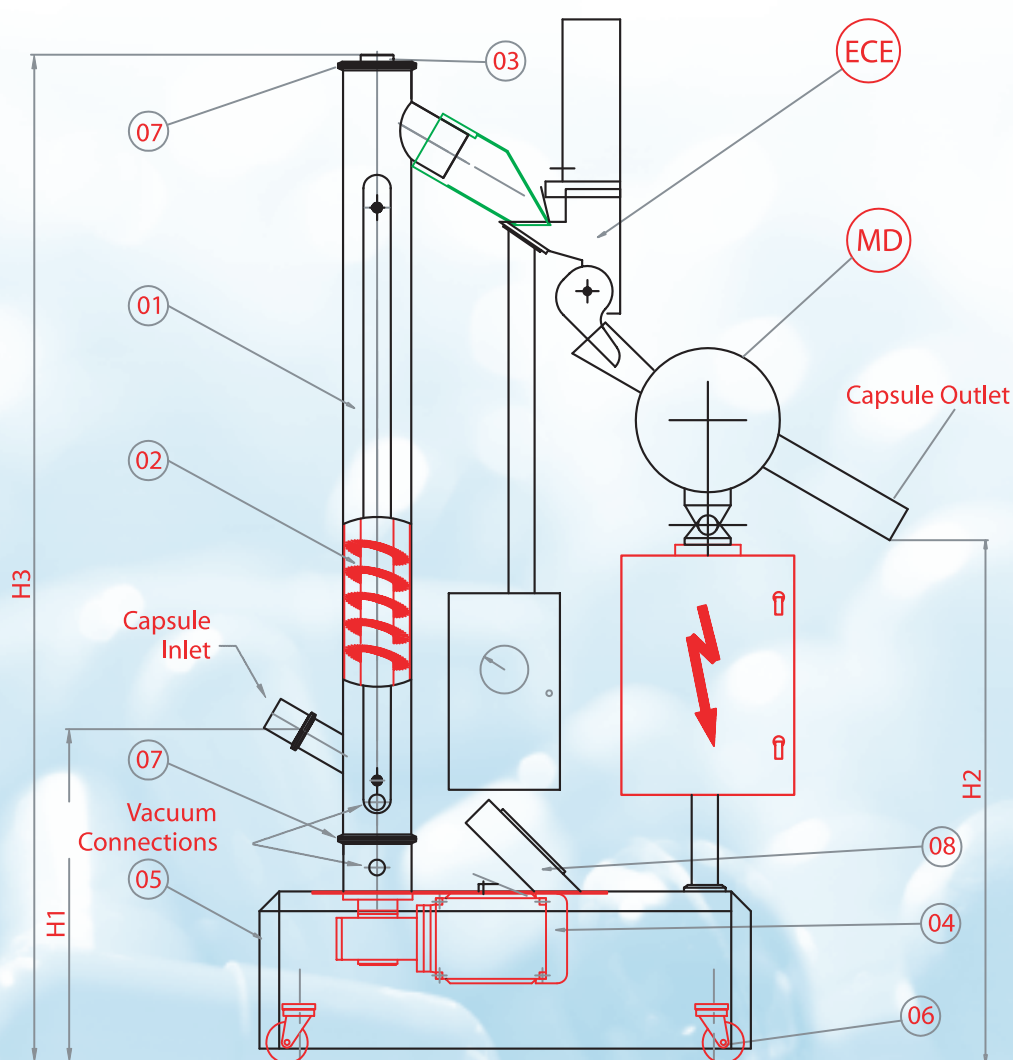
Dust extraction system



TECHNIlab[®]



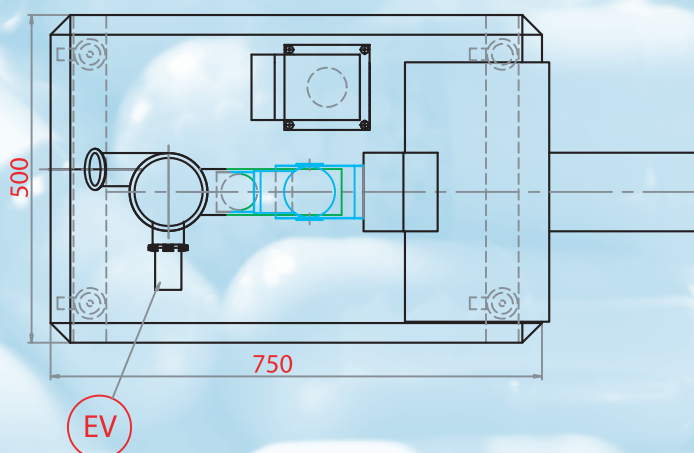
The Capsule Deduster VCD 100



Rep.	Qty	Designation	Material
01	1	Dedusting tube	316 L Stainless Steel
02	1	Dedusting screw	Polyamid, Nylon
03	1	Dedusting screw bearing	316 L Stainless Steel / PTFE
04	1	Moto Reducer/Variator	0.55kW
05	1	Frame	304 L Stainless Steel
06	4	Pivoting Castor	Rubber
07	1	Quick Dismantling Clamp	Stainless Steel + Teflon
08	1	Control Panel	304 L Stainless Steel

Options

Rep.	Qty	Designation	Material
MD	1	METAL DETECTOR	Multiple
ECE	1	EMPTY CAPSULE ELIMINATOR	Multiple
EV	1	VACUUM CONNECTION 2 TO 1	316 L St. St + Food Gradient Nitril Rings



PARAMETERS

- H1 : Capsule inlet height = 500 mm
- H2 : Capsule outlet height = corresponding requirement
- H3 : Total height = corresponding requirement

TECHNIlab®

30 bis, rue du Bois Chaland - CE 2948 • 91029 EVRY Cedex FRANCE

Tél. : +33 (0)1 60 86 96 48 • Fax : +33 (0)1 60 86 90 01

www.technilab.fr