

The Tablet Deduster **VTD 100**



Compact

High elevation capacity

Efficient

Option: Integrated metal detector

Quick dismantling, modular,
easy cleaning validation



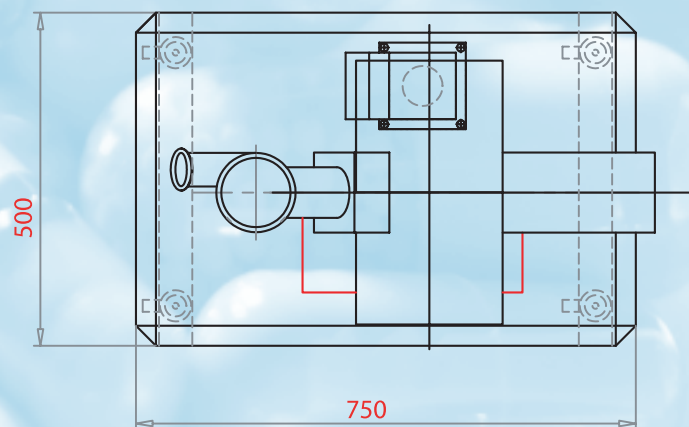
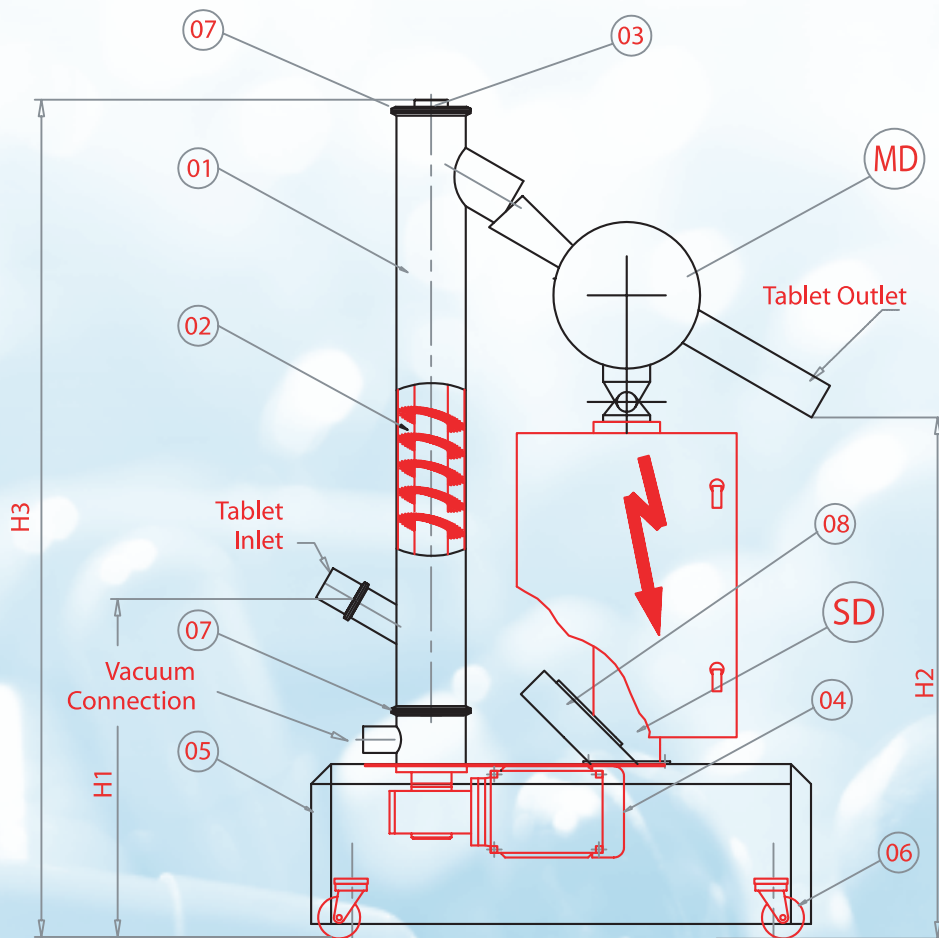
TECHNIlab®



Easy dismantling and Cleaning validation



The Tablet Deduster VTD 100



Rep.	Qty	Designation	Material
01	1	Dedusting tube	316 L Stainless Steel
02	1	Dedusting screw	Polyamid, nylon
03	1	Dedusting screw bearing	316 L Stainless Steel/PTFE
04	1	Moto Reducer/Variator	0.55kW
05	1	Frame	304 L Stainless Steel
06	4	Pivoting Castors	Rubber
07	1	Quick Dismantling Clamp	Stainless Steel + Teflon
08	1	Control Panel	304 L Stainless Steel

Options

Rep.	Qty	Designation	Material
SD	1	SUPPORT METAL DETECTOR	316 L Stainless Steel
MD	1	METAL DETECTOR	

PARAMETERS

- H1 : Tablet inlet height = 500 mm
- H2 : Tablet outlet height = corresponding requirement
- H3 : Total Height = corresponding requirement

TECHNILab®

30 bis, rue du Bois Chaland - CE 2948 • 91029 EVRY Cedex FRANCE

Tél. : +33 (0)1 60 86 96 48 • Fax : +33 (0)1 60 86 90 01

www.technilab.fr